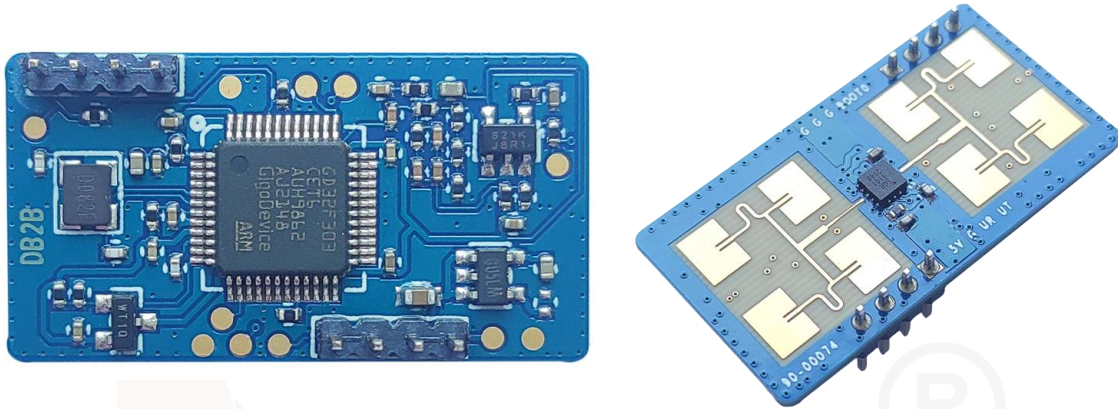




HLK-LD1125H-24G

Wave Human Presence Detection Radar Module



24G millimeter wave human presence detection radar sensor module LD1125H breathing induction ranging detector

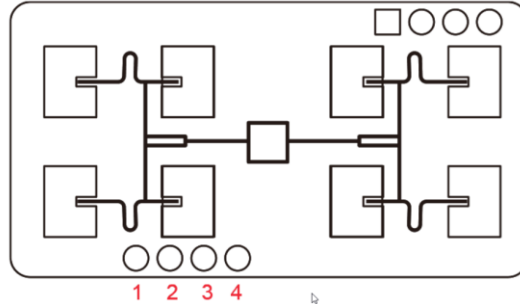
Description:

HLK-LD1125H-24G is a high sensitivity 24GHz millimeter wave human presence detection radar module. The main feature of this module is to judge the existence of the human body by detecting and accumulating tiny movements such as human respiration. Therefore, the detection of human presence is more accurate than traditional mobile detection radars. Not easy to miss.

Specifications:

- Frequency: 23.5G-24.5GHz
- Modulation method: FMCW
- Detection distance: > 4m static detection, > 8m moving detection
- Range: hanging height 3m, static body detection coverage radius > 2m,
- Power supply: 3.3-5V
- Current: 80mA
- Output serial level: 3.3V
- Detection cycle: adaptive
- Antenna half power angle: horizontal $\pm 22^\circ$, vertical $\pm 24^\circ$
- Data format: Serial port ASCII output

Pin Configuration:



Pin 1: VCC 5V Power supply

Pin 2: GND, Ground

Pin 3: URX, TTL serial receive

Pin 4: UTX, TTL serial send

Sensing Range:

- Horizontal installation linear test

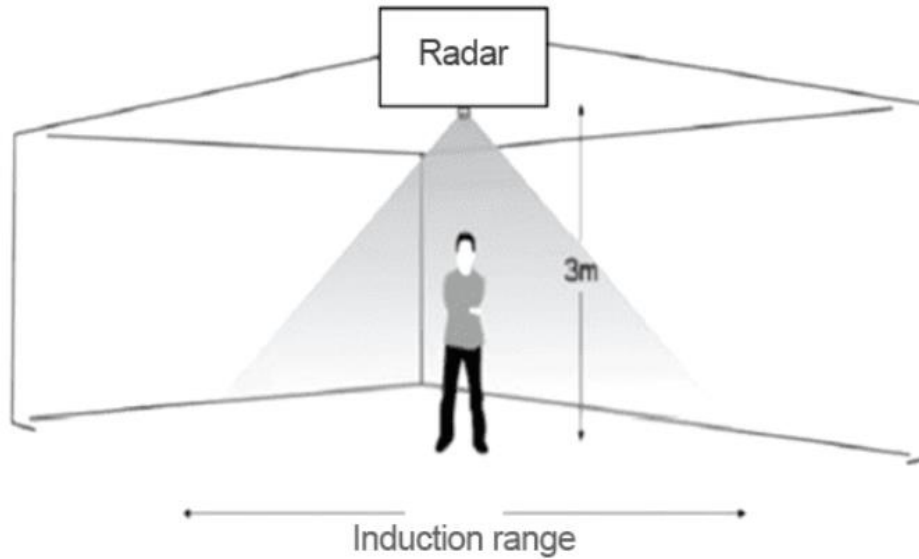


human stand



radar module

- Hanging height vertical test



Applications:

- In security devices
- In home automation
- In Industrial devices